

AVMR's Premium Pedestal Mount Range – Medium to Heavy Duty

Overview

- Solid rubber with integrally bonded mounting plates.
- Effective vibration absorption control due to tight tolerance and rubber compound quality used.
- High tolerance to lateral loads, can be used in shear (divide given compression loads by 6 for use in shear)
- Typical uses: heat pumps, air conditioning units, generators, engines, motors, pumps, machine tools
- Alternative rubber and metal substrates available as options.
- Alternative options can be used together where different loads are present. This can help reduce natural frequency variation.
- Spring rate tolerances:
 - Typical industry rates: +/-20%
 - **AVMR's premium mounts: +/-15%**
 - Commodity grade products: +/- 60%
- Manufactured in the UK by AVMR



Materials and options:

- Rubber: Natural Rubber (Polyisoprene). Common options include: EPDM, Nitrile (NBR) and Neoprene (CR)
 - Note: We would recommend alternative rubber compounds are tested for precise deflection data.
- Metals: Mild Steel. Common options include Stainless Steel, Aluminum, although other options are available.
- Plating: Sherardize or Green coat typically used. Options (incl. unplated) are available and can be discussed.

Installation and Maintenance Instructions:

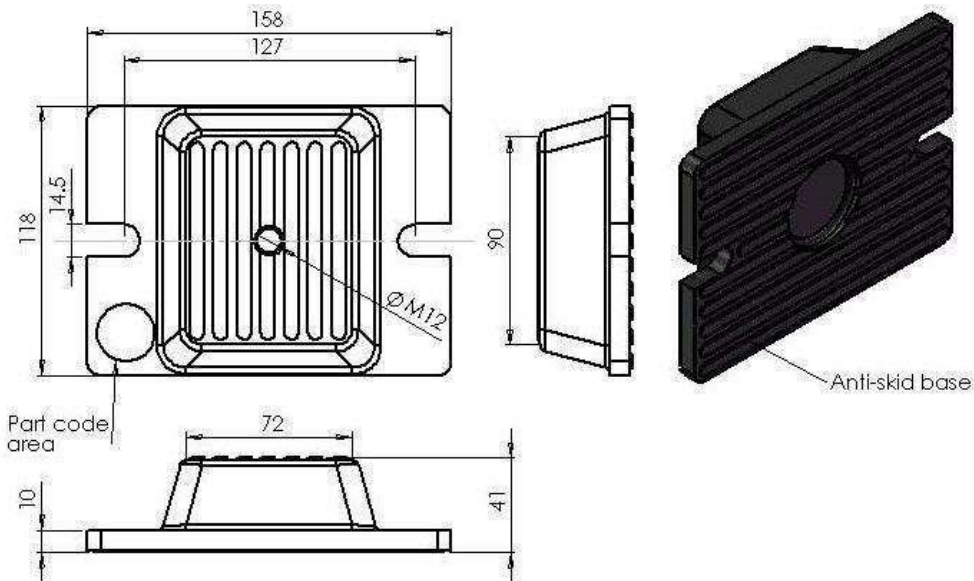
- Ensure the base of the mount is installed on a smooth, flat surface.
- Integrated substrates should be 80%+ covered by the load.
- We recommend annual inspection of this products. Replace if the rubber is perishing or if any metal elements are damaged.
- All compression to the mount should be through the plates, not through the threads. Any height adjustment should use shims or plates on the bonded plate.
- The base plate can be tack welded into place or placed on an anti-skid mat as an alternative to bolting into place.

Premium Pedestal Mount – R4 mounts

These encapsulated mounts are designed to work in harsher environments. Therefore, these products in highly weatherproof and hydrocarbon resistant compounds.

Standard products have an M12 thread and EPDM. Variants include:

- M20 thread
- Nitrile rather than the standard Neoprene rubber compound. This offers addition hydrocarbon resistance.
- Alternate compounds can manage loads of up to 1500kg.

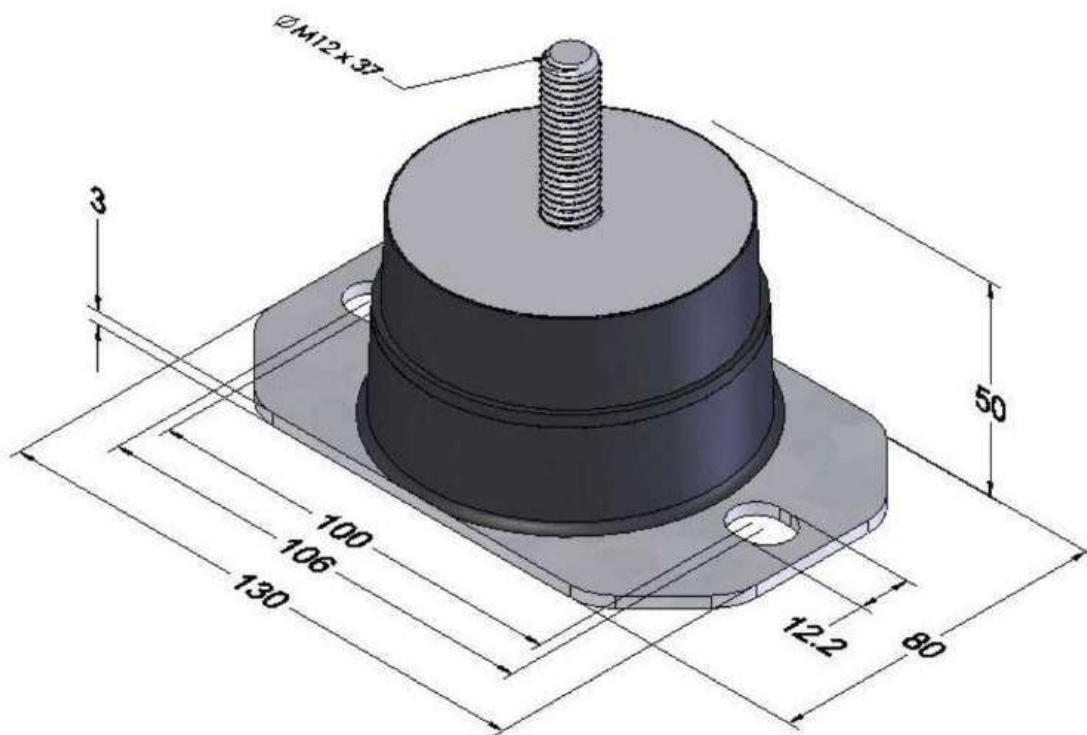


R4 Mounts				
	Recommended Load (kg)		Absorption at max load	
	Min	Max	25 Hz	50 Hz
Type 3	200	500	85% +	95% +
Type 4	500	800	85% +	95% +
Type 5	800	1100	85% +	95% +

Premium Pedestal Mount – 8050 range

8050 Variants:

- 8050 SP: As pictured with a male M12 thread (M12 x 1.75).
- 8050 FP: With a female M12 thread instead of the male M12 thread.
- This range is stocked with M12 male thread but alternative threads can be manufactured

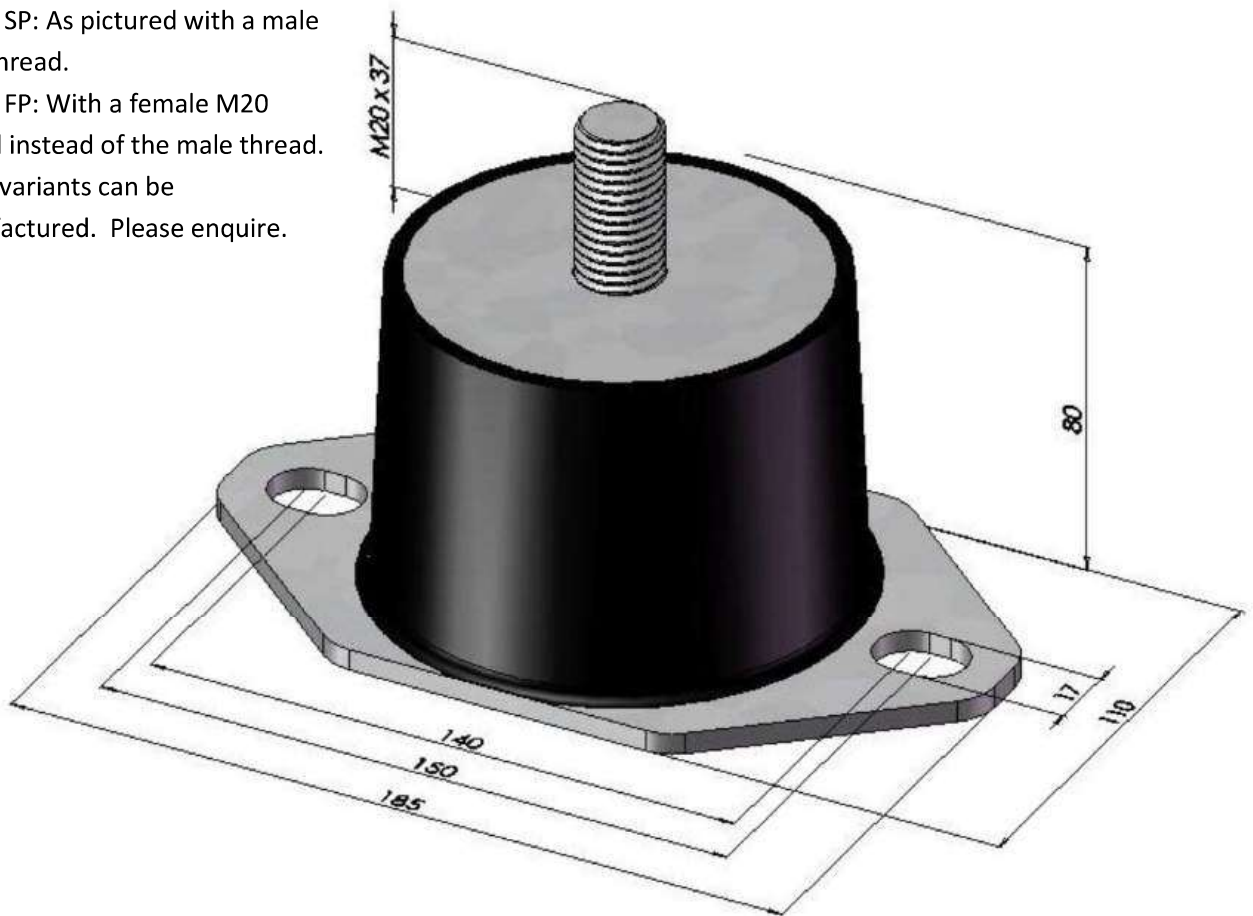


8050 Pedestal Mount - Compression data				
	Recommended Load (kg)		Absorption at max load	
	Min	Max	25 Hz	50 Hz
Type 2	50	100	85%	95% +
Type 4	75	150	85%	95% +
Type 6	120	225	85%	95% +
Type 8	160	325	85%	95% +
Type 10	250	500	85%	95% +
Type 12	300	600	85%	95% +

Premium Pedestal Mount – 10080 range

10080 Variants:

- 10080 SP: As pictured with a male M20 thread.
- 10080 FP: With a female M20 thread instead of the male thread.
- Other variants can be manufactured. Please enquire.

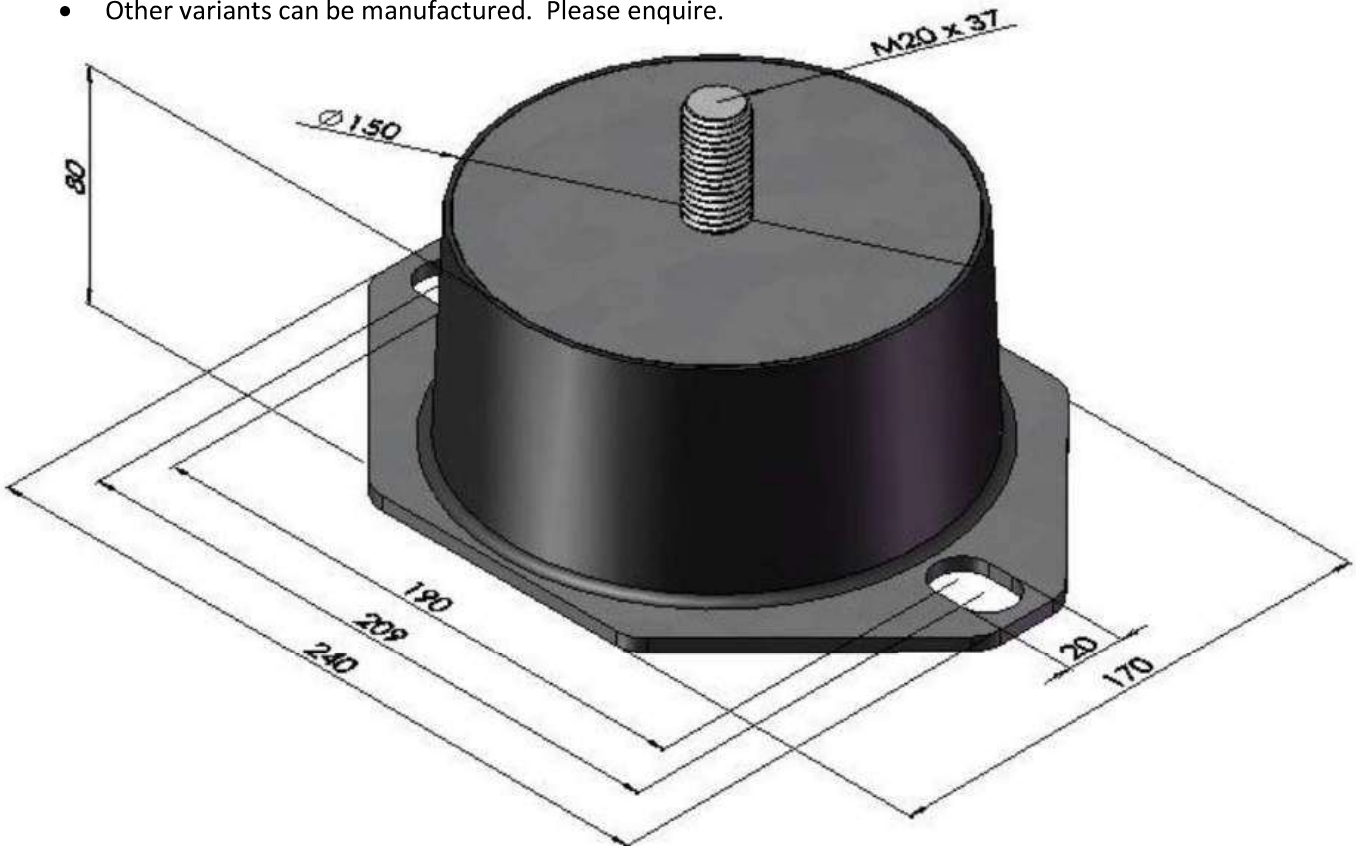


10080 Pedestal Mount - Compression data				
	Recommended Load (kg)		Absorption at max load	
	Min	Max	25 Hz	50 Hz
Type 2	90	175	90% +	95% +
Type 3	140	275	90% +	95% +
Type 4	240	475	90% +	95% +
Type 5	340	650	90% +	95% +

Premium Pedestal Mount – 15080 range

15080 Variants:

- 15080 SP: As pictured with a male M20 thread.
- 15080 FP: With a female M20 thread instead of the male thread.
- Other variants can be manufactured. Please enquire.

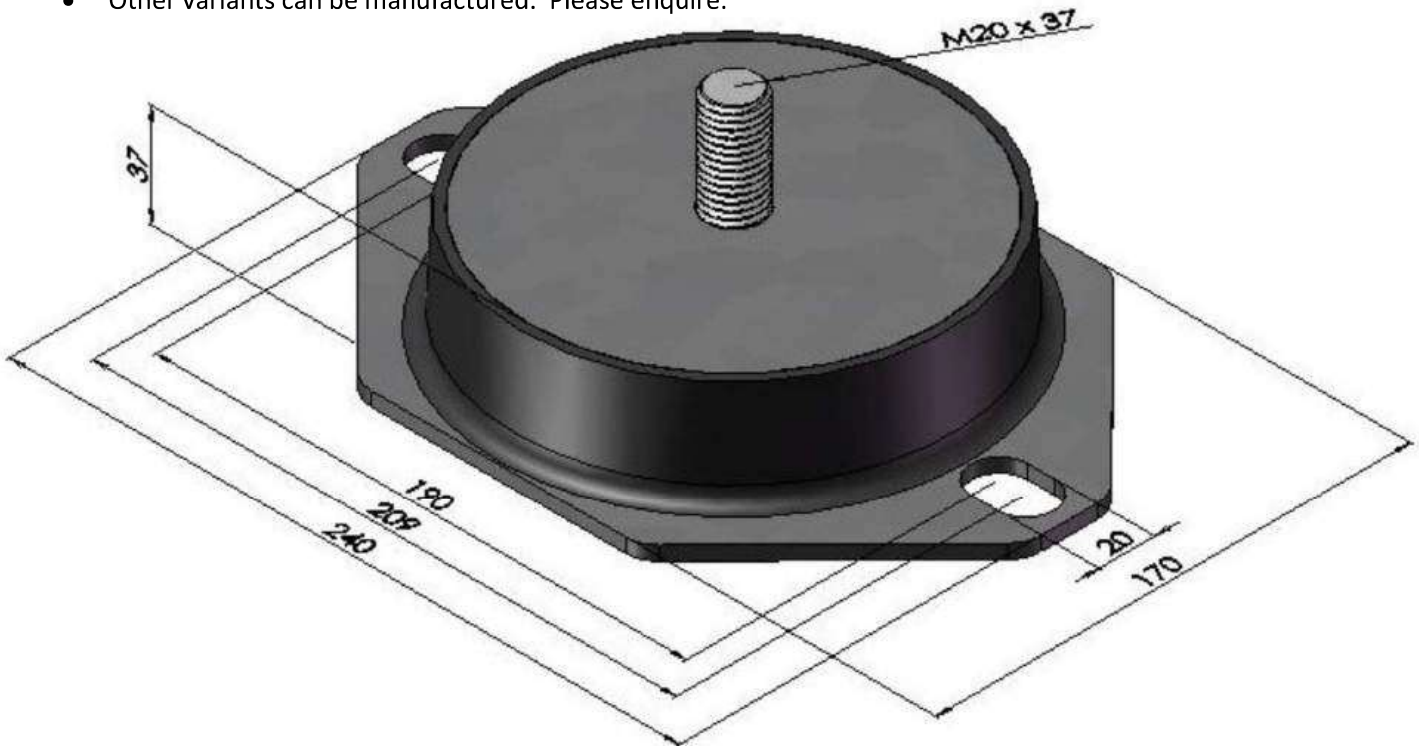


15080 Pedestal Mount - Compression data				
	Recommended Load (kg)		Absorption at max load	
	Min	Max	25 Hz	50 Hz
Type 2	350	650	90% +	95% +
Type 3	650	1250	90% +	95% +
Type 4	700	1400	90% +	95% +
Type 5	900	1650	90% +	95% +

Premium Pedestal Mount – 15040 range

15040 Variants:

- 15040 SP: As pictured with a male M20 thread.
- There is no female version of this product due to the lack of height.
- Other variants can be manufactured. Please enquire.



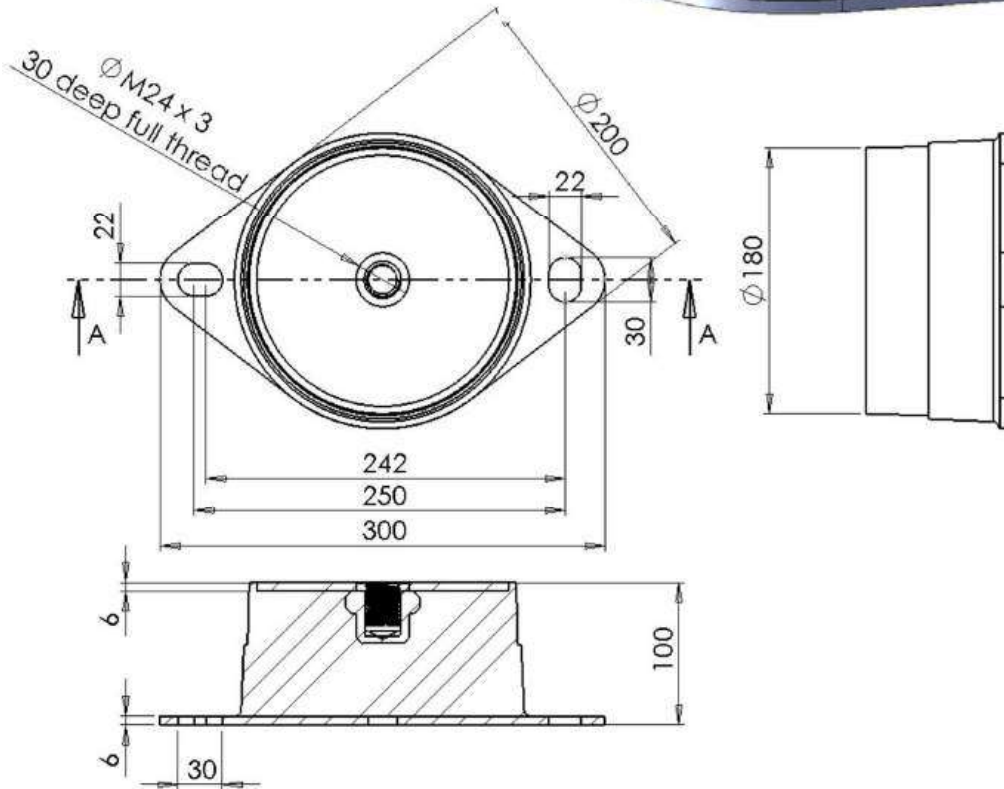
15040 Pedestal Mount - Compression data				
	Recommended Load (kg)		Absorption at max load	
	Min	Max	25 Hz	50 Hz
Type 2	350	650	85% +	95% +
Type 3	650	1250	85% +	95% +
Type 4	700	1400	85% +	95% +
Type 5	900	1700	85% +	95% +

Premium Pedestal Mount – 180100 range

We can manufacture a wider variety of load ratings for this mount however, to date only the below have been required by our current markets.

180100 Variants:

- Other variants can be manufactured. Please enquire.



180100 Pedestal Mount - Compression data				
	Recommended Load (kg)		Absorption at max load	
	Min	Max	25 Hz	50 Hz
Type 3	1000	1750	95% +	95% +
Type 4	1100	2100	95% +	95% +
Type 5	1300	2500	95% +	95% +
Type 10	2500	5000	95% +	95% +